



Architecture Lighting

CE RoHS IP66

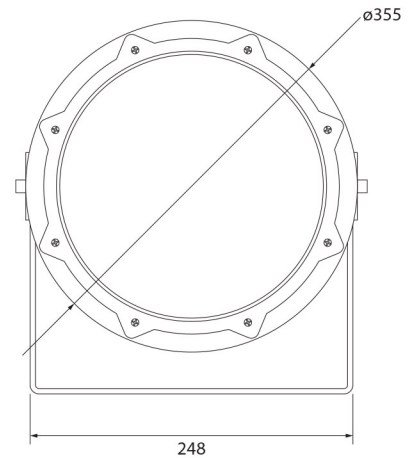


GNS-PS1265

Product Characteristic :-

- Body : High quality extruded/cast aluminum with treatment of corrosion protection and UV-proof powder coating
- Diffuser : Clear tempered glass
- Gasketing : Thermostable silica gel to improve protection class
- Fastener : Stainless steel with high intensity and corrosion protection

Dimensions (mm) :-



GNS-PS1265

Application :-

Urban streets, parks, squares, garden, villas and etc.

Technical Data :-

- Insulation Class : Class I
- Protection : IP66
- Finishing Color : Grey. Other RAL colors are available upon request.

Specifications :-

Item No.	GNS-PS1265
Power	150W
Luminous Flux	110-130lm/W
LED Type	80pcs CREE LED Chip
Voltage	AC85-265V, 50/60Hz
Beam Angle	5°, 15°, 30°, 45°, 60°, 90°, 120°
Color Temp.	RGB , 3000K~6000K
Color Rendering Index	Ra>80
Driver	Meanwell
Power Factor	0.9
Protection Class	IP66

