



Architecture Lighting

CE RoHS IP65



GNS-PS1266B

Product Characteristic :-

- Body : High quality extruded/cast aluminum with treatment of corrosion protection and UV-proof powder coating
- Diffuser : Clear tempered glass
- Gasketing : Thermostable silica gel to improve protection class
- Fastener : Stainless steel with high intensity and corrosion protection

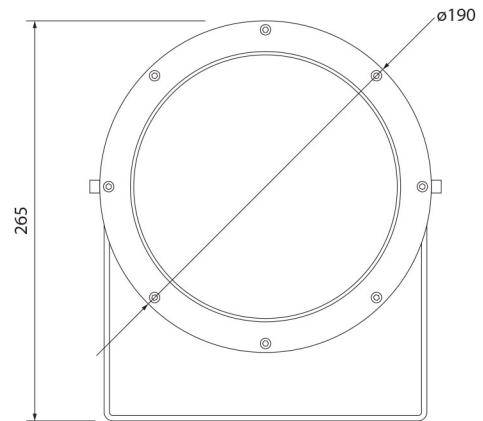
Application :-

Urban streets, parks, squares, garden, villas and etc.

Technical Data :-

- Insulation Class : Class I
- Protection : IP65
- Finishing Color : Black. Other RAL colors are available upon request.

Dimensions (mm) :-



GNS-PS1266B

Specifications :-

Item No.	GNS-PS1266B
Power	72W
Luminous Flux	5235lm
LED Type	24pcs x 3W CREE LED Chip
Voltage	AC85-265V, 50/60Hz
Beam Angle	5°
Color Temp.	3000K
Color Rendering Index	Ra>80
Driver	Shenzhen XRL - Built-in
Power Factor	0.9
Protection Class	IP65

