



# Architecture Lighting

CE RoHS IP66



**GNS-WC3605**

**Product Characteristic :-**

- Body : High quality die-cast aluminum
- Diffuser : Clear acrylic
- Gasketing : Thermostable silica gel to improve protection class
- Fastener : Stainless steel with high intensity and corrosion protection

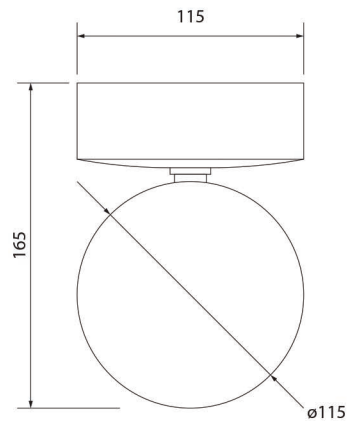
**Application :-**

Houses, squares, villas and etc.

**Technical Data :-**

- Insulation Class : Class I
- Protection : IP66
- Finishing Color : White/Light grey. Other RAL colors are available upon request.

**Dimensions (mm) :-**



GNS-WC3605

**Specifications :-**

Item No.	GNS-WC3605
Wattage	6W
Input Power	AC85-265V, 50/60Hz
Lamp Type	3*2W CREE LED
Lumen Efficiency	110lm/W
Color Temperature	3000K
Color Rendering Index	Ra>80
Beam Angle	180°
IP Rating	IP66
Net Weight	0.6kg

