



Architectural Lighting

CE RoHS IP66



GNS-FL1215

Product Characters :-

- Body : High quality die-cast aluminum body with adjustable brackets
- Diffuser : Clear tempered glass
- Lens : Anti-Oxidation & Anti-UV Polycarbonate with 90% Transparency
- Gasketing : Thermostable silica gel to improve protection class
- Fastener : Stainless steel with high intensity and corrosion protection
- Other : Comes with 35cm rubber cable

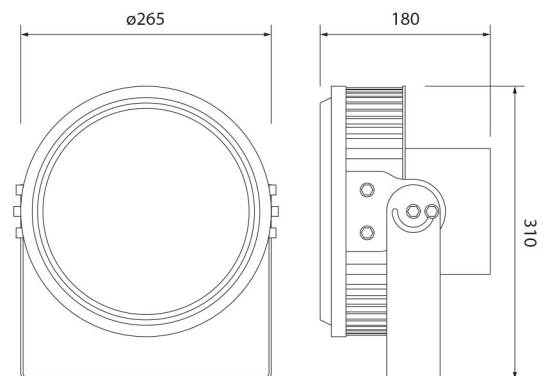
Applications :-

Facade, villas, parks, garden, squares, bridge etc.

Specifications :-

Item No.	GNS-FL1201	
Power	60W	90W
LED Qty.	1W*60pcs	1.5W*60pcs
LED Type	Bridgelux	CREE
Voltage	AC85-265V, 50/60Hz	
Color	3000K/4000K/6000K	
Luminous Efficiency	110lm/W	100lm/W
Beam Angle	8°, 15°, 25°, 30°, 45°, 60°, 90°, 120°	5°, 15°, 30°, 60°, 90°
Color Rendering Index	Ra>80	
Power Factor	0.9	
IP Rating	IP66	
Operating Temperature	-20°C ~ 45°C	
Operating Humidity	10% ~ 90%	
Weight	6.79kg	

Dimensions (mm) :-



GNS-FL1215

